

F

E

D

C

B

A

F

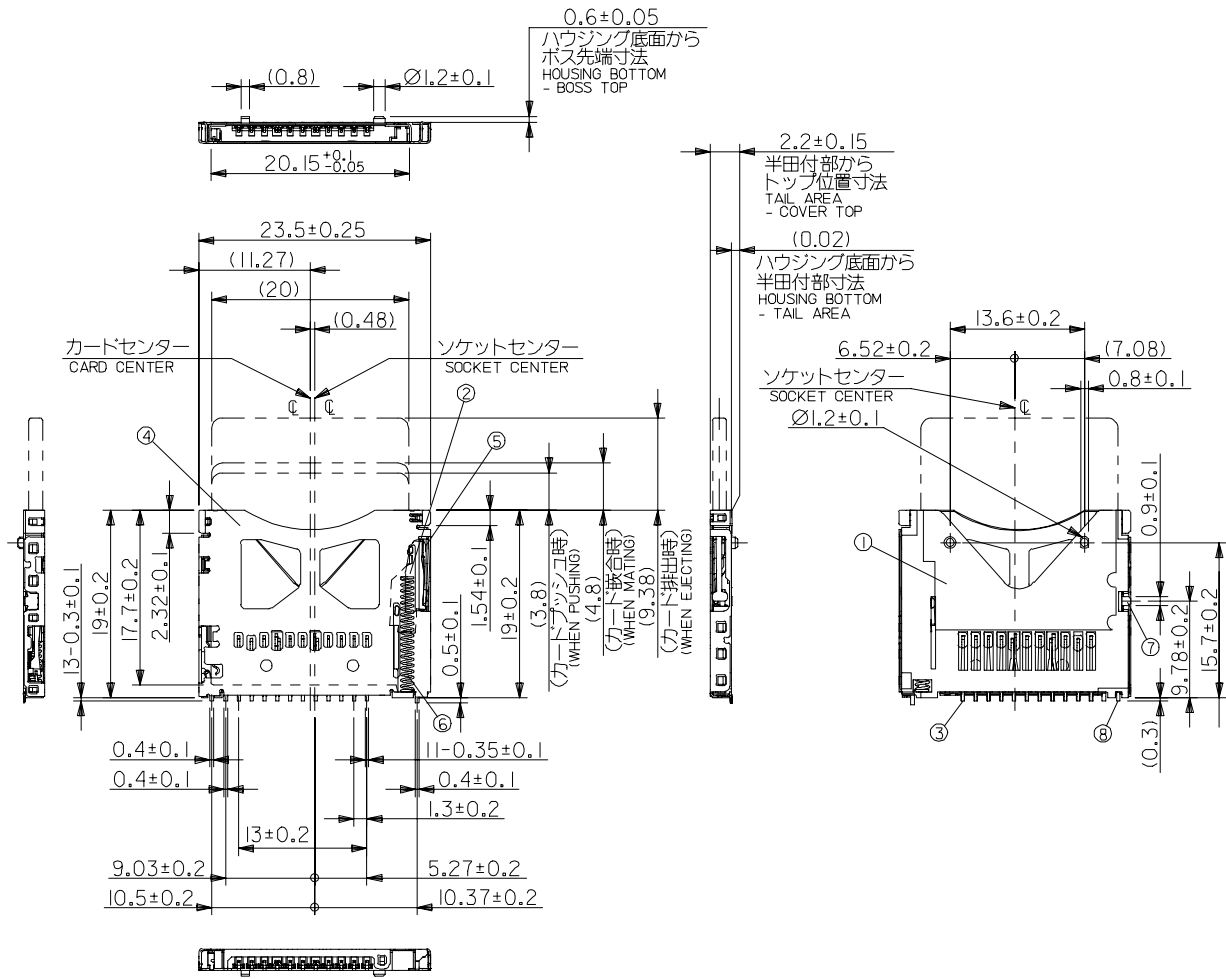
E

D

C

B

A



NO.	NAME	MATERIAL
①	ハウジング HOUSING	耐熱樹脂、UL94-V0、黒色 HEAT RESISTANCE POLYMER,UL94-V0,BLACK
②	カムスライダー CAM SLIDER	耐熱樹脂、UL94-V0、黒色 HEAT RESISTANCE POLYMER,UL94-V0,BLACK
③	ターミナル TERMINAL	銅合金、接点部：金めっき0.1MICROMETER MIN. 半田付部：鍍めつき1.0MICROMETER MIN. 下地：ニッケルめっき1.0MICROMETER MIN. COPPER ALLOY, CONTACT AREA:GOLD, TAIL AREA:TIN, UNDER:NICKEL
④	メタルカバー METAL COVER	ステンレス鋼 半田付部：鍍めつき1.0MICROMETER MIN. 下地：ニッケルめっき0.5MICROMETER MIN. STAINLESS STEEL, TAIL AREA:TIN, UNDER:NICKEL
⑤	ピン PIN	ステンレス鋼 STAINLESS STEEL
⑥	スプリング SPRING	ピアノ線 SWP
⑦	ディテクト ターミナル DETECT TERMINAL	銅合金、接点部：金めっき0.2MICROMETER MIN. パラジウムニッケルめっき0.3MICROMETER MIN. 半田付部：鍍めつき1.0MICROMETER MIN. 下地：ニッケルめっき1.0MICROMETER MIN. COPPER ALLOY, CONTACT AREA:GOLD, PALLADIUM-NICKEL, TAIL AREA:TIN, UNDER:NICKEL
⑧	スイッチネイル SWITCH NAIL	銅合金、全面：金めっき0.2MICROMETER MIN. パラジウムニッケルめっき0.3MICROMETER MIN. 下地：ニッケルめっき1.0MICROMETER MIN. COPPER ALLOY, ALL AREA:GOLD, PALLADIUM-NICKEL, UNDER:NICKEL

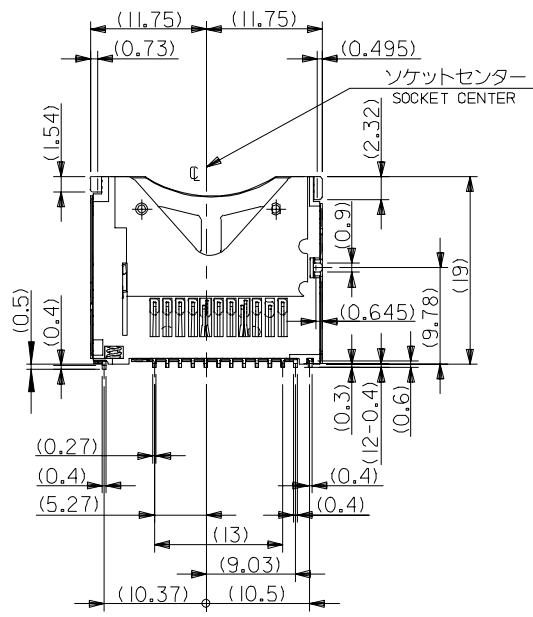
NOTES

- ターミナルおよびネイルの平坦度は0.1MAX.
TERMINAL AND NAIL COPLANARITY TO BE 0.1MAX.
 - 納入時、プッシュ/プッシュ機構は非ロック状態(カード飛び出し位置)
WHEN DELIVERING, THE PUSH/PUSH MECHANISM IS IN THE
STATE OF THE UNLOCK.(CARD DASHING OUT POSITION)
 - カード検出スイッチ
DETECT SWITCH
- | | |
|---------------------------------------|----------------|
| カード挿入時
CARD INSERTING POSITION | クローズ
CLOSED |
| カード未挿入時
NO CARD INSERTING POSITION | オープン
OPEN |
- カード挿入時の製品高さは2.45MAX.
WHEN INSERTING THE CARD, THE HEIGHT TO BE 2.45MAX.
 - コネクタ重量は0.9±0.1g
WEIGHT OF THE CONNECTOR : 0.9±0.1g

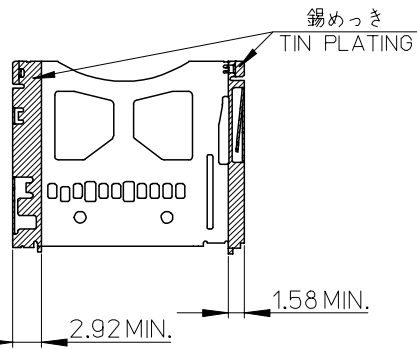
REVISED EC NO: J2005-1964 DRW: KYAMANE 2005/01/11 CHK: KADACHI 2005/01/11 APPR: MIYAZAWA 2005/01/14 DESCRIPTION REV	GENERAL TOLERANCES (UNLESS SPECIFIED)		DIMENSION STYLE MM ONLY		SCALE 2:1	DESIGN UNITS METRIC	THIRD ANGLE PROJECTION	
	10 UNDER	± ---	DRAWN BY KYAMANE	DATE 2004/07/15	TITLE MINISD SOCKET CONNECTOR (NORMAL TYPE) -LEAD FREE-			
	10 OVER 30 UNDER	± ---	CHECKED BY MYAGI	DATE 2004/07/15	MOLEX INCORPORATED			
	30 OVER	± ---	APPROVED BY MIYAZAWA	DATE 2004/07/15	DOCUMENT NO. SD-500972-001		SHEET NO. 1 OF 3	
	ANGULAR	± --- °	MATERIAL NO. 500972-1109					
DRAFT WHERE APPLICABLE MUST REMAIN WITHIN DIMENSIONS			THIS DRAWING CONTAINS INFORMATION THAT IS PROPRIETARY TO MOLEX INCORPORATED AND SHOULD NOT BE USED WITHOUT WRITTEN PERMISSION					

10 9 8 7 6 5 4 3 2 1

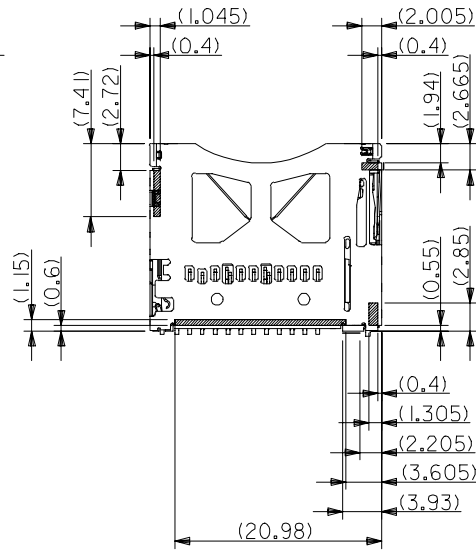
F
E
D
C
B
A



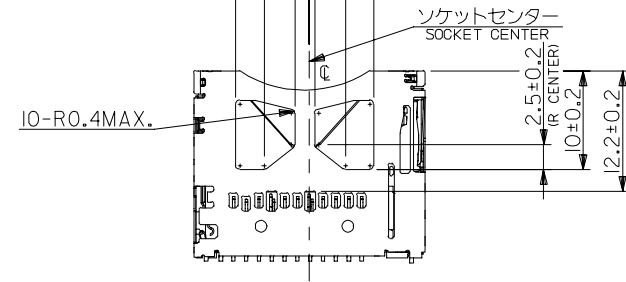
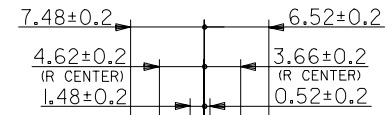
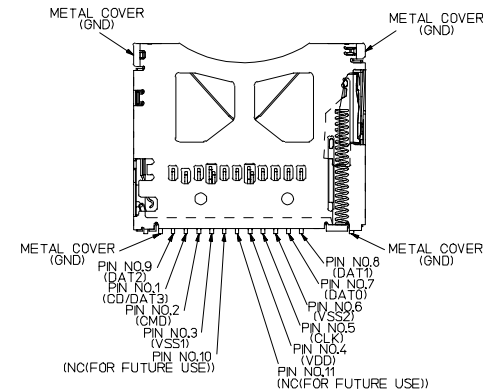
コネクタ半田接地位置
POSITION OF TAIL AREA



メタルカバー錫めっき領域
TIN PLATING AREA OF METAL COVER

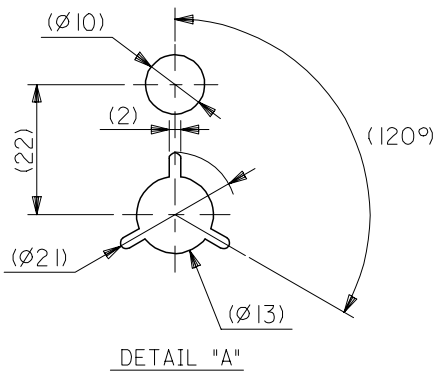
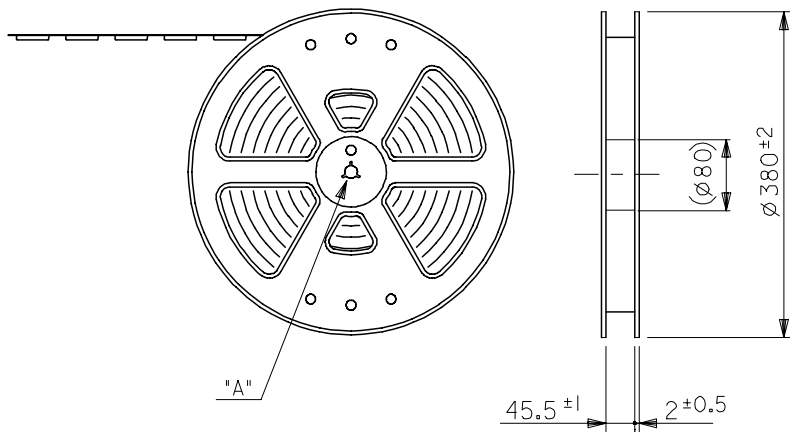


コネクタ固定可能箇所
POSSIBLE FIXED PLACE OF CONNECTOR



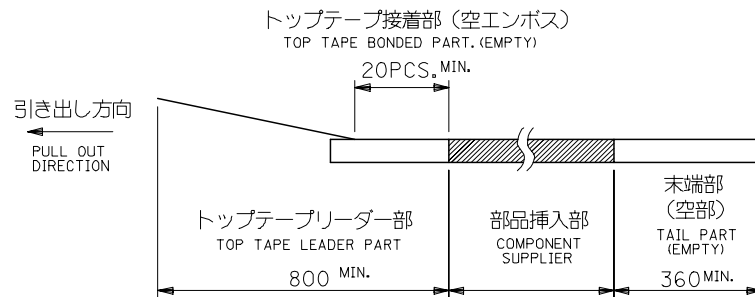
SEE SHEET 1 OF 3 EC NO: J2005-1964 DRAWN: KYAMANE 2005/01/11 CHKD: KADACHI 2005/01/11 APPR: MIYAZAWA 2005/01/14	GENERAL TOLERANCES (UNLESS SPECIFIED)		DIMENSION STYLE MM ONLY		SCALE 2:1	DESIGN UNITS METRIC	THIRD ANGLE PROJECTION
	10 UNDER	±---	DRAWN BY KYAMANE	DATE 2004/07/15	TITLE MINISD SOCKET CONNECTOR (NORMAL TYPE) -LEAD FREE-		
	10 OVER 30 UNDER	±---	CHECKED BY MYAGI	DATE 2004/07/15	MOLEX INCORPORATED		
	30 OVER	±---	APPROVED BY MIYAZAWA	DATE 2004/07/15	DOCUMENT NO. SD-500972-001		
	ANGULAR ±--- °	DRAFT WHERE APPLICABLE MUST REMAIN WITHIN DIMENSIONS		MATERIAL NO.		SHEET NO. 2 OF 3	
THIS DRAWING CONTAINS INFORMATION THAT IS PROPRIETARY TO MOLEX INCORPORATED AND SHOULD NOT BE USED WITHOUT WRITTEN PERMISSION				SEE SHEET 1 OF 3			

引き出し方向
PULL OUT DIRECTION

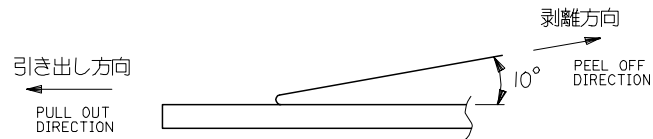


NOTES

- 製品詳細寸法については、SD図面を参照下さい。
RE DETAILED DIMENSION, SEE SALES DRAWING.
- 梱包数量：500個/リール
NUMBER OF CONNECTORS : 500PCS/REEL
- リードテープ長さ LEAD TAPE LENGTH



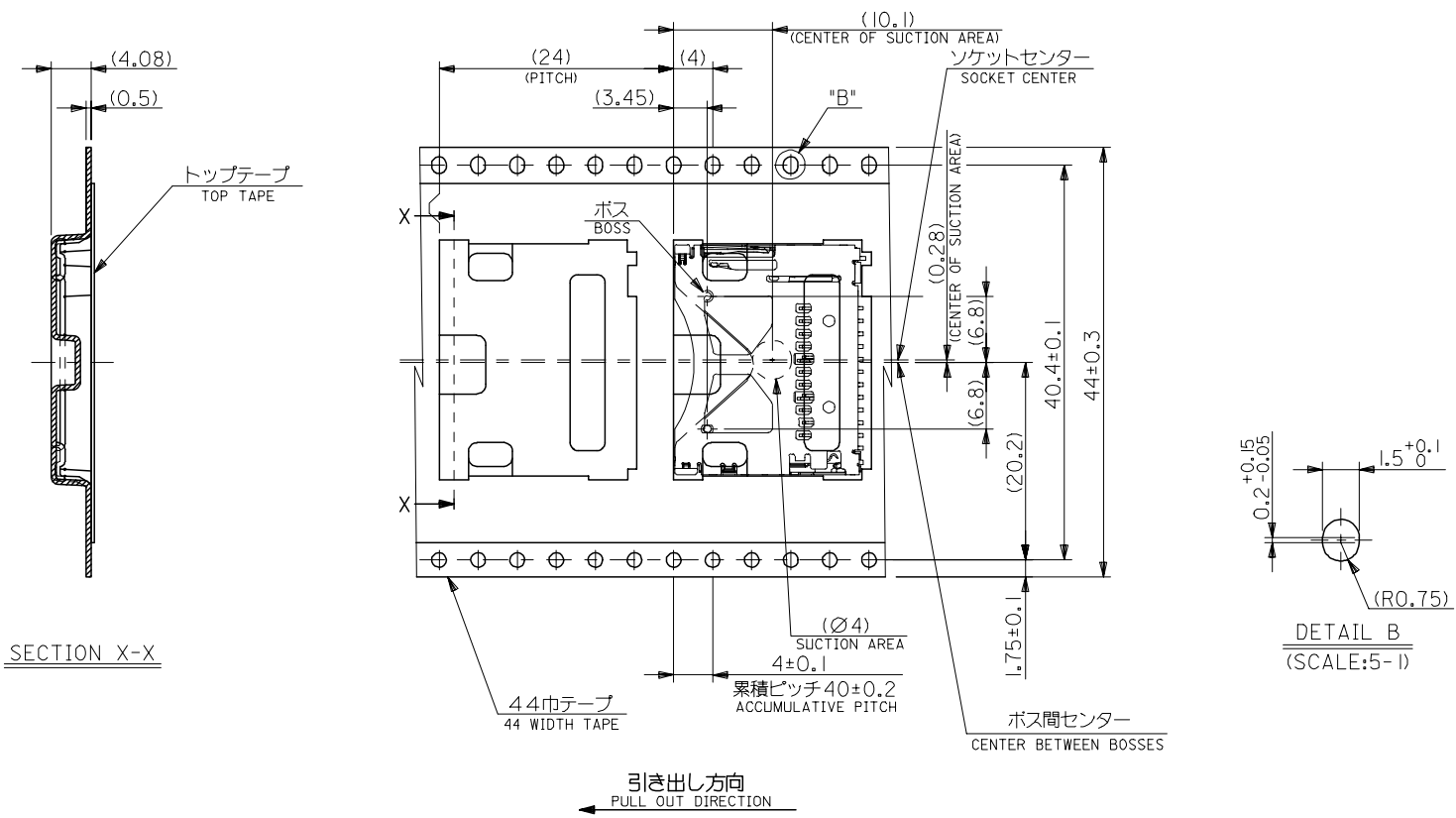
- トップテープの剥離強度：0.1N～1.3N (10.2gf～130gf) (剥離方向は下図参照) 尚、本規格値は出荷時に適用。(但し、輸送時に剥離が発生しないこと。)
PEELING OFF FORCE OF TOP TAPE : 0.1N～1.3N (10.2gf～130gf) (PEELING DIRECTION AS SHOWN IN FOLLOWING FIG.) THIS REQUIREMENT SHOULD BE APPLIED AT SHIPMENT. PEEL OFF SHOULD NOT BE ALLOWED , DURING TRANSPORTATION.



5. 材料 (MATERIAL)

キャリアテープ (CARRIER TAPE) : ポリプロピレン (POLYPROPYLENE)
 トップテープ (TOPTAPE) : PET, PE, PEF
 リール (REEL) : ポリスチレン (PS) <リサイクル材を含む>
 POLYSTYRENE (PS) <RECYCLE MATERIAL CONTAINED>

REVISED EC No: J2005-1246 DRAWN: KYAMANE 2004/10/26 CHKD: KADACHI 2004/10/27 APPR: MIYAZAW 2004/10/29	DESCRIPTION	GENERAL TOLERANCES (UNLESS SPECIFIED)		DIMENSION STYLE MM ONLY		SCALE ---	DESIGN UNITS METRIC	THIRD ANGLE PROJECTION		
		10 UNDER	± ---	DRAWN BY KYAMANE	DATE 2004/07/14	TITLE MINISD SOCKET CONNECTOR EMBOSSD TAPE PACKAGE -LEAD FREE-				
		10 OVER 30 UNDER	± ---	CHECKED BY MYAGI	DATE 2004/07/14	MOLEX INCORPORATED				
		30 OVER	± ---	APPROVED BY MIYAZAWA	DATE 2004/07/14	DOCUMENT NO. SD-500972-002				
ANGULAR ± --- °		DRAFT WHERE APPLICABLE MUST REMAIN WITHIN DIMENSIONS		MATERIAL NO. 500972-1107		SHEET NO. 1 OF 2				
SIZE A3		THIS DRAWING CONTAINS INFORMATION THAT IS PROPRIETARY TO MOLEX INCORPORATED AND SHOULD NOT BE USED WITHOUT WRITTEN PERMISSION								



SECTION X-X

DETAIL B
(SCALE:5-1)

SEE SHEET 1 OF 2 EC NO: J2005-1246 DRAWN: KYAMANE 2004/10/26 CHKD: KADACHI 2004/10/27 APPR: MIYAZAW 2004/10/29 REV B	GENERAL TOLERANCES (UNLESS SPECIFIED)		DIMENSION STYLE MM ONLY		SCALE 2:1	DESIGN UNITS METRIC	THIRD ANGLE PROJECTION	
	10 UNDER	± ---	DRAWN BY KYAMANE	DATE 2004/07/14	TITLE MINISD SOCKET CONNECTOR EMBOSSED TAPE PACKAGE			
	10 OVER 30 UNDER	± ---	CHECKED BY MYAGI	DATE 2004/07/14				
	30 OVER	± ---	APPROVED BY MIYAZAWA	DATE 2004/07/14	MOLEX INCORPORATED			
	ANGULAR	± --- °	MATERIAL NO.	DOCUMENT NO.	SEE SHEET 1 OF 2 SD-500972-002		SHEET NO. 2 OF 2	
DRAFT WHERE APPLICABLE MUST REMAIN WITHIN DIMENSIONS		SIZE A3 THIS DRAWING CONTAINS INFORMATION THAT IS PROPRIETARY TO MOLEX INCORPORATED AND SHOULD NOT BE USED WITHOUT WRITTEN PERMISSION						